

Specifications

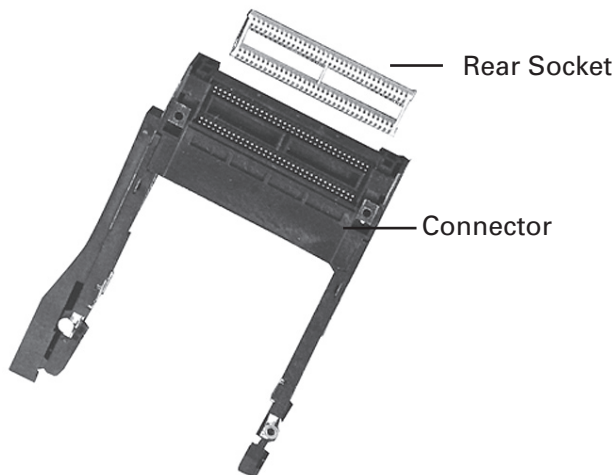
Insulation Resistance: 1,000MΩ min.
 Withstanding Voltage: 500V ACrms for 1 minute
 Contact Resistance: 40mΩ max.
 Current Rating: 0.5A per contact
 Soldering Temp.: Rear socket: 220°C / 40 sec.,
 240°C peak

Materials and Finish

Insulator: PBT, glass filled (UL94V-0)
 Contact: Phosphor Bronze
 Plating:- Header:
 Card side - Au 0.3μm over Ni 2.0μm
 Rear side - Au flash over Ni 2.0μm
 Rear Socket:
 Mating side - Au 0.2μm over Ni 1.0μm
 Solder side - Au flash over Ni 1.0μm
 Plate: Stainless Steel
 Side Contact: Phosphor Bronze
 Plating: Au over Ni

Features

- SMT connector makes assembly and rework easier
- Small, light and low profile connector meets all kinds of PC card system requirements
- Various product combinations single or double deck, right or left eject lever, polarization styles, various stand-off heights, fully supports the customer's design needs
- Convenience of PC card removal with push type eject leve



Part Number (Details)

CNS - D T P - A RR - 1 3 - A - 1

Series	
D = Double Deck	
PCB Mounting Style: T = Top B = Bottom	
Voltage Style: P = 3.3V / 5V Card	
A = Plastic Lever B = Metal Lever C = Foldable Lever D = 2 Step Lever E = Without Ejector	
Eject Lever Positions: RR = Top Right / Bottom Right RL = Top Right / Bottom Left LL = Top Left / Bottom Left LR = Top Left / Bottom Right	
*Height of Stand-off: 1 = 0mm 4 = 2.2mm 8 = 5.0mm	
Nut Insert:	0 = None (on request) 1 = Header (on request) 2 = Guide (on request) 3 = Header / Guide (standard)
Shield Plate:	A = None B = Top C = Bottom D = Top / Bottom
Kapton Film:	no mark = None 1 = Top 2 = Bottom 3 = Top and Bottom

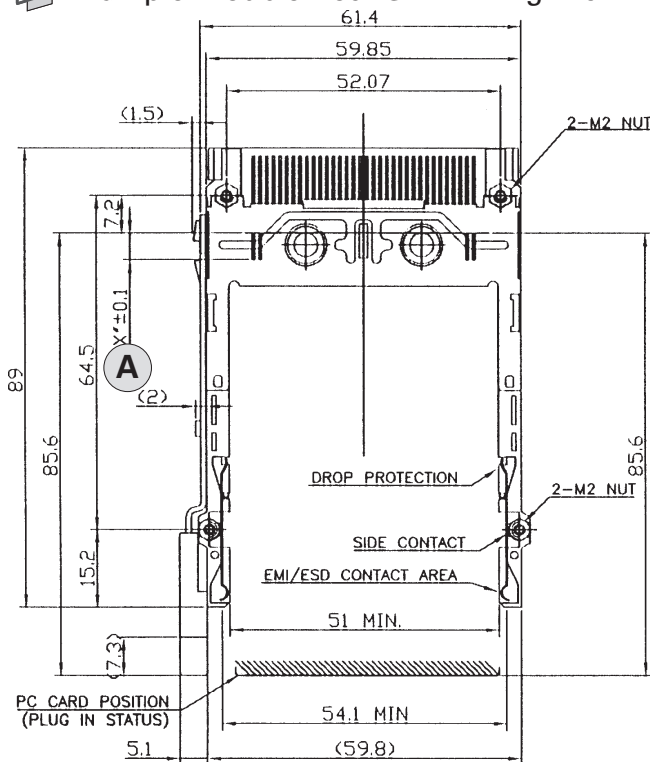
*Stand-off products 0.0 and 2.2mm are subject to a minimum order quantity of 1,120 pcs.

Part Number (Details) for Rear Socket

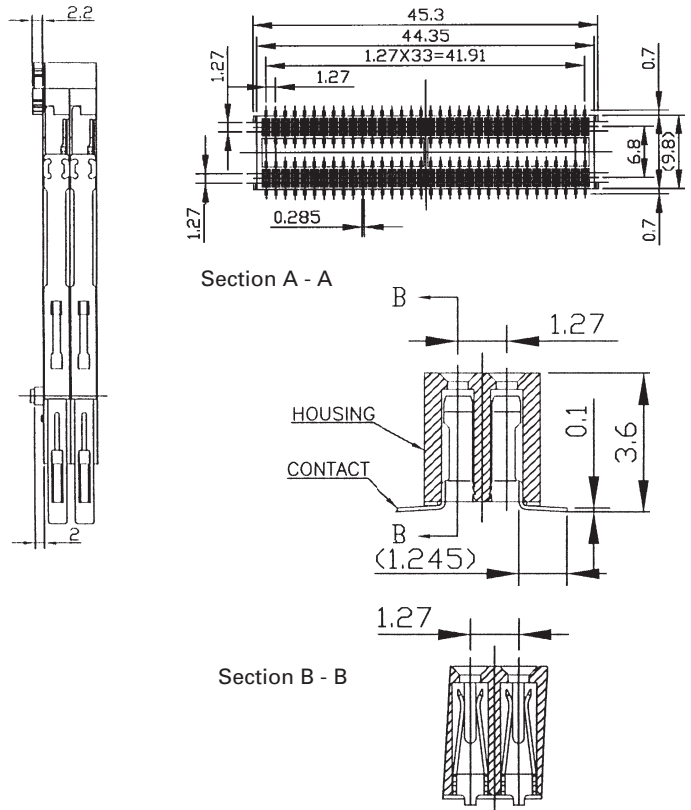
PCMCIA - 1088 - *

Packing Number	
Available Types	
1 = With Kapton Film (Tray)	
9 = With Kapton Film (Tape & Reel)	

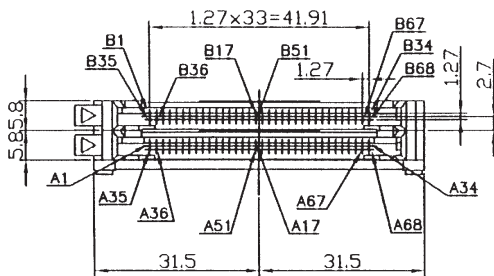
Example: Double Deck SMT Fixing with 2.2mm Stand-off



Rear Socket Section Details



PCMCIA II Slot



Contact Dimensions at A	Length
Contacts A1, A17, A34, A35, A51 and A68 B1, B17, B34, B35, B51 and B68	5.00 ± 0.1
Contacts A36 and A67, B36 and B67	3.50 ± 0.1
All other contacts	4.25 ± 0.1

Example PCB Layout

Top View

